



INSTALLATION INSTRUCTIONS

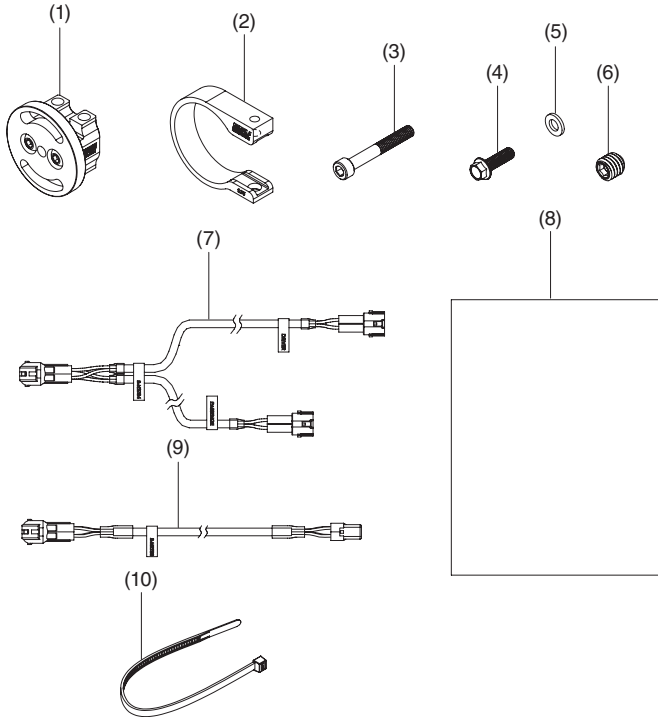
Accessory
REAR SPEAKER MOUNT KIT
 P/N 0SS23-HL6-A00

Application
**SXS100S2X/S2XD/S2R/
 S2RD/S4X/S4XD**

Publication No.
MII 17811
 Issue Date
May 2022

Honda Dealer: Please give a copy of these instructions to your customer.

PARTS LIST



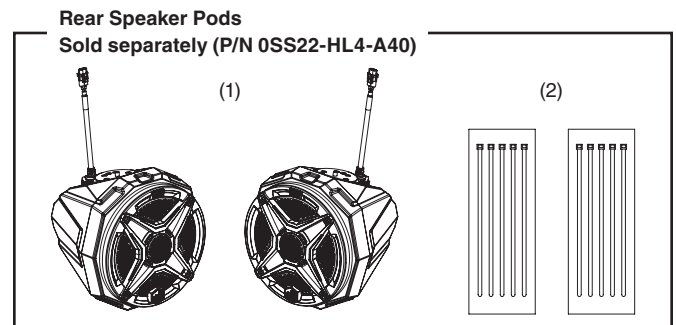
No.	Description	Qty
(1)	Swivel adaptor mount	2
(2)	Ring clamp, 2.00 in	4
(3)	5 mm allen bolt, M6 x 45 mm long	4
(4)	8 mm flange bolt, M6 x 20 mm long	4
(5)	M6 flat washer	8
(6)	M6 set screw	8
(7)	Speaker Y-cable	1
(8)	Installation Instructions URL	1
(9)	Audio extension cable	1
(10)	Zip tie, 10 in	5

TOOLS REQUIRED

- Torque wrench or driver
- Allen wrench (5 mm)
- Socket (8 mm)
- Trim clip removal tool
- Tape

REQUIRED ACCESSORIES

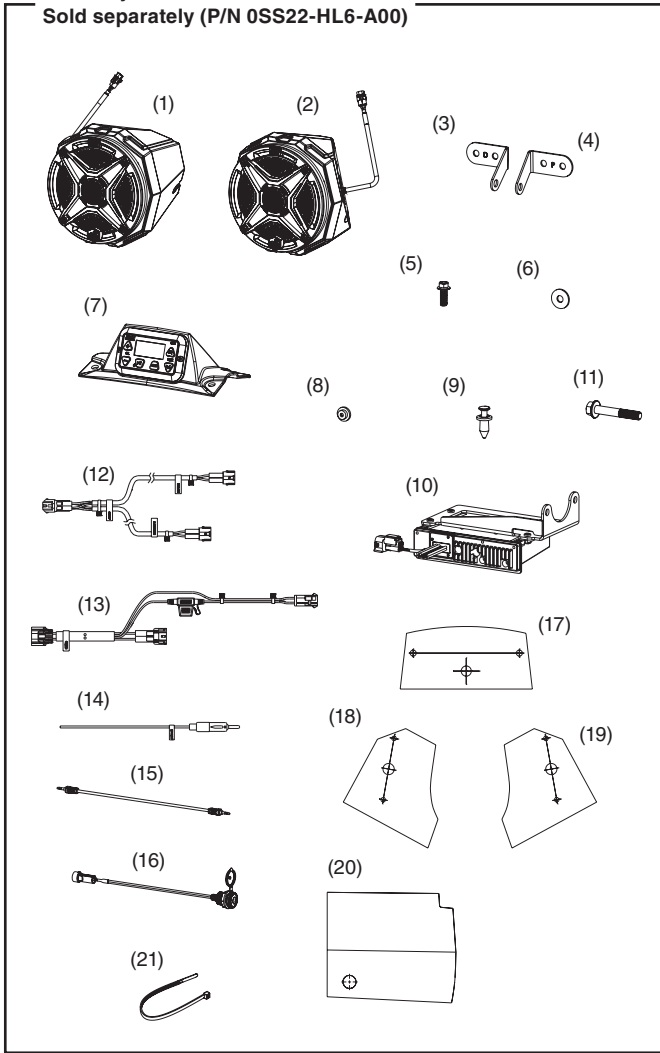
The items below are required for the installation of this accessory.



No.	Description	Qty
(1)	Assembly, pod, cage mount	1
(2)	Pack, zip ties, 10" (5 EA.)	1

Audio System

Sold separately (P/N 0SS22-HL6-A00)



No.	Description	Qty
(1)	Driver Side Speaker Pod	1
(2)	Passenger Side Speaker Pod	1
(3)	Driver Side Speaker Pod Bracket	1
(4)	Passenger Side Speaker Pod Bracket	1
(5)	8 mm Flange Bolt	8
(6)	Washer	8
(7)	Radio Controller w/ Dash Kit	1
(8)	1/8 in Drill guide	4
(9)	Trim Clips	4
(10)	Radio MCU w/ Mounting Bracket	1
(11)	12 mm Flange Bolt	2
(12)	Speaker Harness	1
(13)	Radio Power Harness	1
(14)	Antenna Cable	1
(15)	3.5 mm Aux Cable	1
(16)	Aux In Socket	1
(17)	Radio Controller Cable Drill Template	1

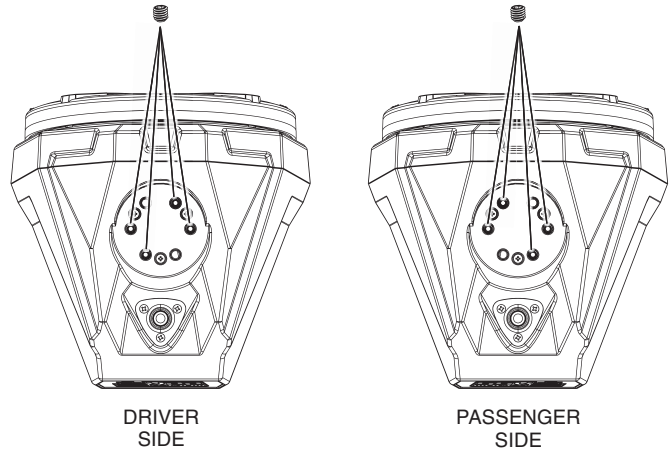
No.	Description	Qty
(18)	Driver Speaker Enclosure Drill Template	1
(19)	Passenger Speaker Enclosure Drill Template	1
(20)	Aux In Socket Drill Template	1
(21)	8 in Zip Ties	10

TORQUE CHART

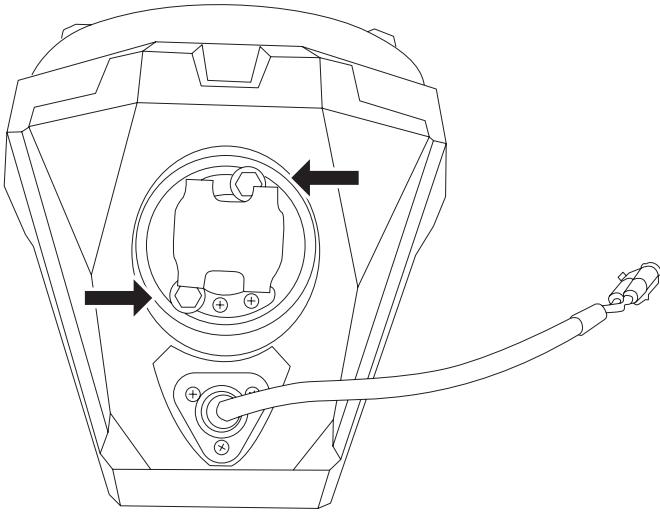
Item	N-m	kgf-m	lbf-ft
8 mm flange screw	7.8	0.8	5.8
5 mm allen screw	7.8	0.8	5.8

INSTALLATION

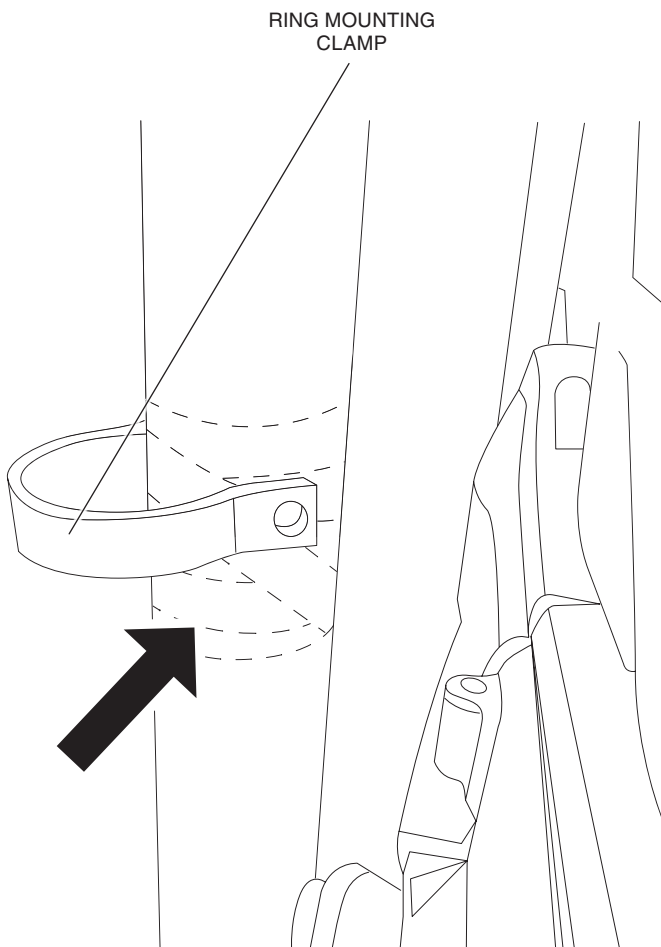
1. Install all required accessories before starting installation.
2. Refer to the vehicle service manual and remove the following parts:
 - Hood
 - Ground Cable connection to battery
3. Install four (4) Set Screws into each speaker pod in the locations shown.



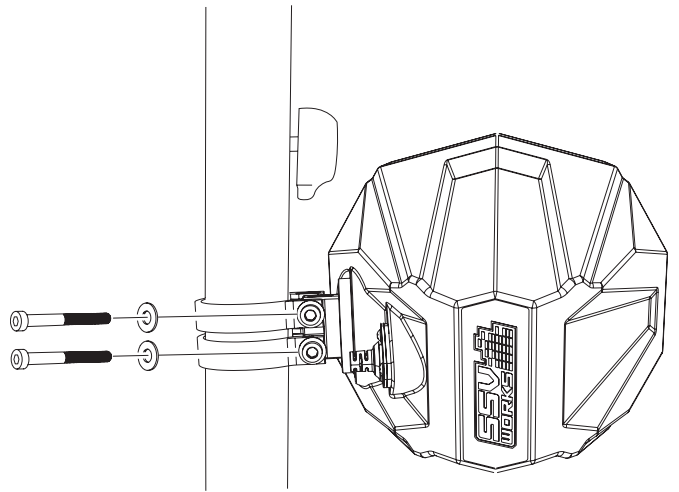
4. Loosely install the swivel adapter mount to the cage mount pod using the two (2) supplied M6 hex head bolts, two (2) washers and an 8 mm wrench. You will fully tighten these in Step 6.



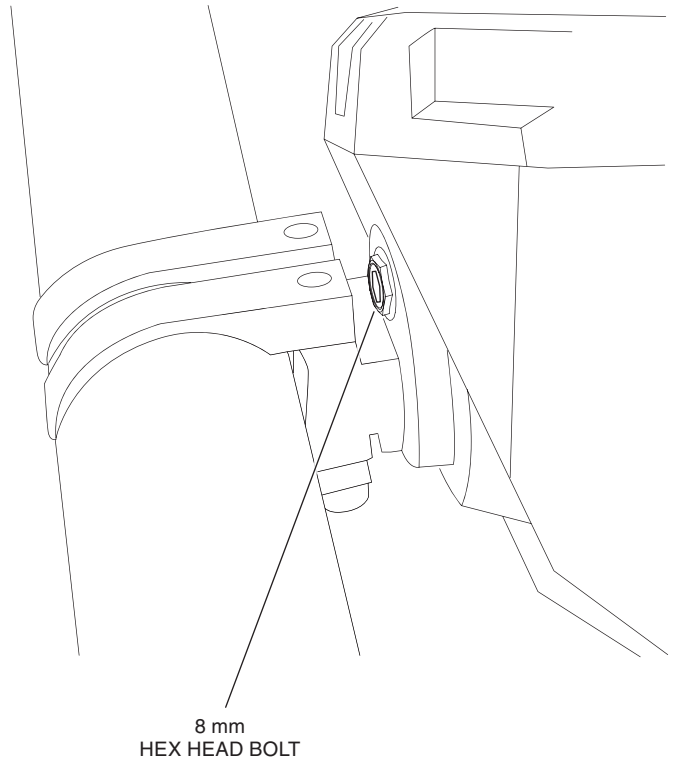
5. Place both ring mounting clamps on the cage by wrapping it with a plastic bag or using masking tape to prevent scratching. Remove protective material before tightening clamps.



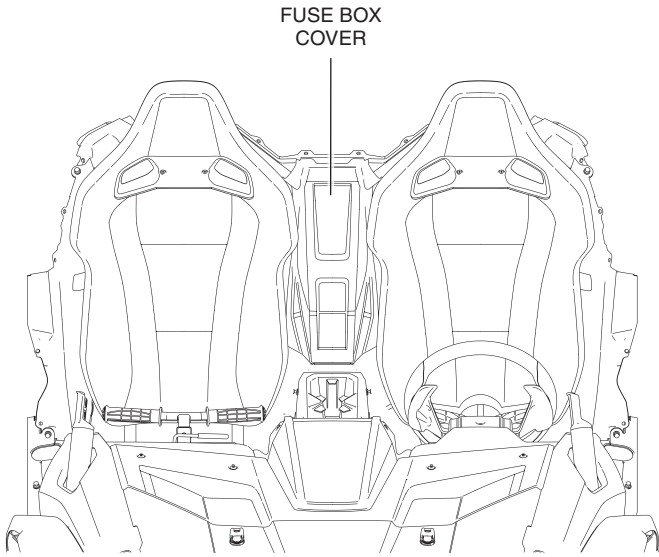
6. Place the cage mount pod in its desired mounting location and secure to the clamps using the two (2) M6 Allen socket head bolts and washers with a 5 mm Allen key. Torque to 8 N-m or 6 lbf-ft. Aim the speaker towards the preferred location.



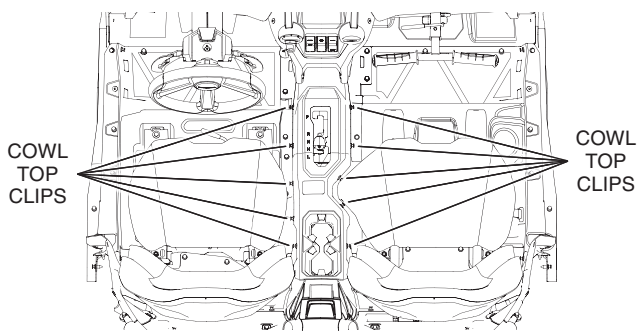
7. Secure the cage pod in its final location by tightening the two (2) M6 hex head bolts on the swivel adapter mount from Step 3 with an 8 mm wrench. Torque to 8 N-m or 6 lbf-ft.



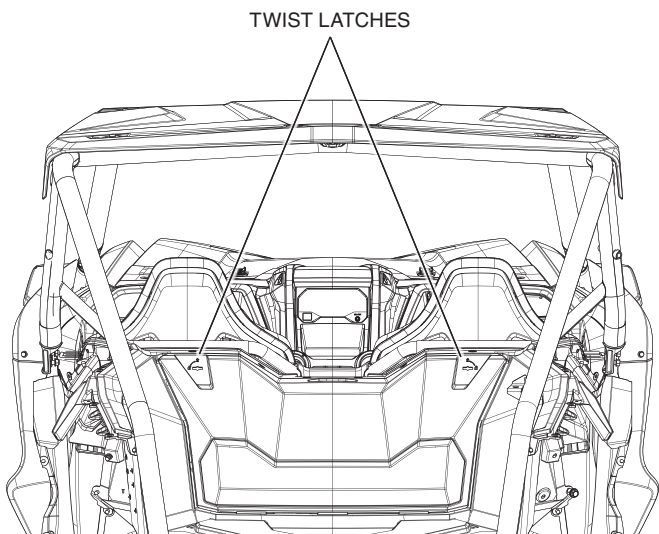
8. Remove the fuse box cover by pulling it towards you.



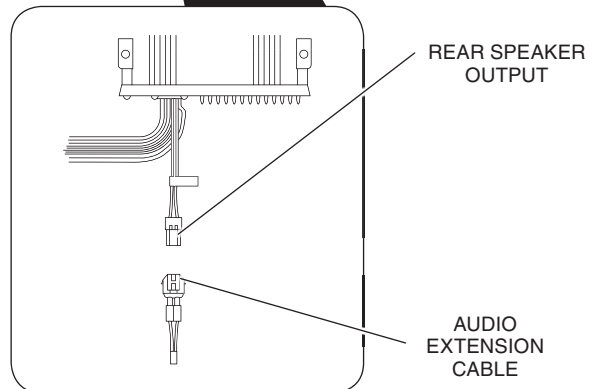
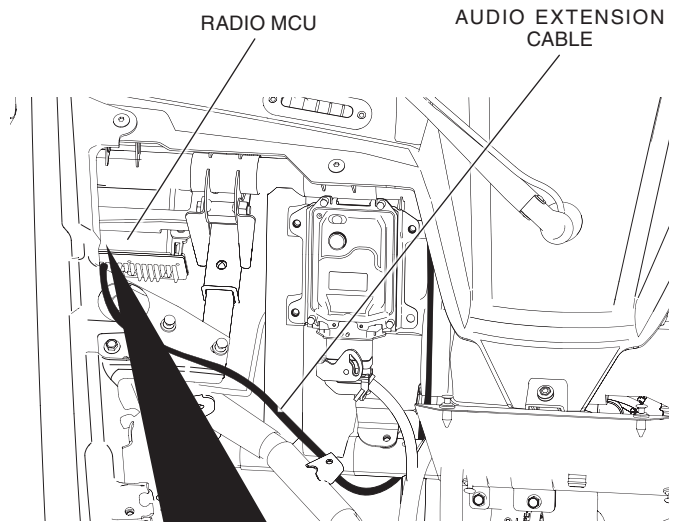
9. Remove 5 cowl top clips from driver's side of center console and 5 cowl top clips from passenger side of center console. Remove the center console and set it aside.



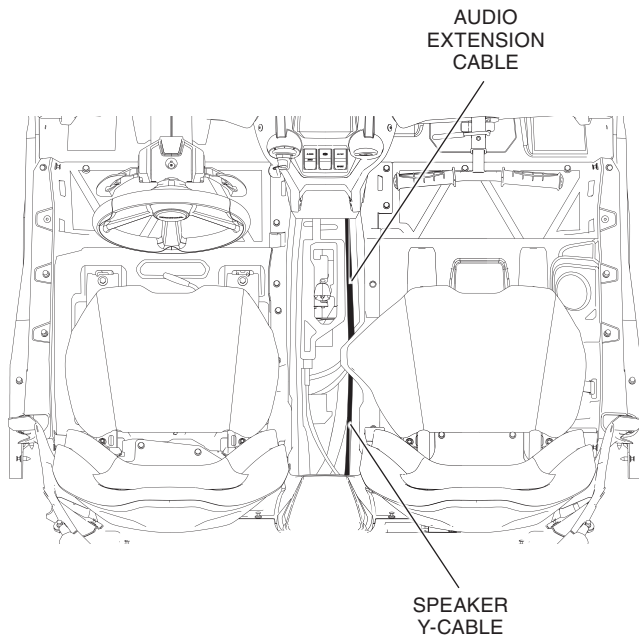
10. Remove airbox cover in rear cargo area by releasing the twist latches shown.



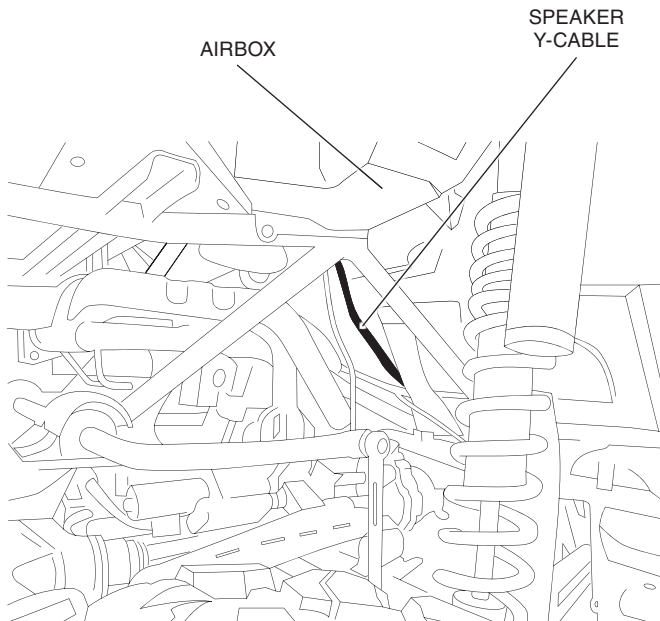
11. Plug the Audio Extension Cable to the Rear Speaker Output of the Radio MCU. Route it behind the glove box and down to the center console as shown. Zip tie as needed.



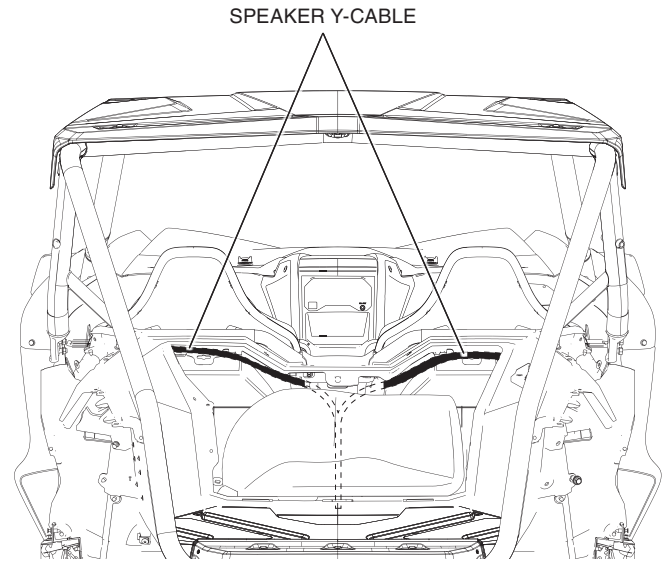
12. Run Audio Extension Cable through the center console and connect it to the Speaker Y-Cable. Run both legs of Speaker Y-Cable through the center console and out to the engine compartment. Zip tie as needed.



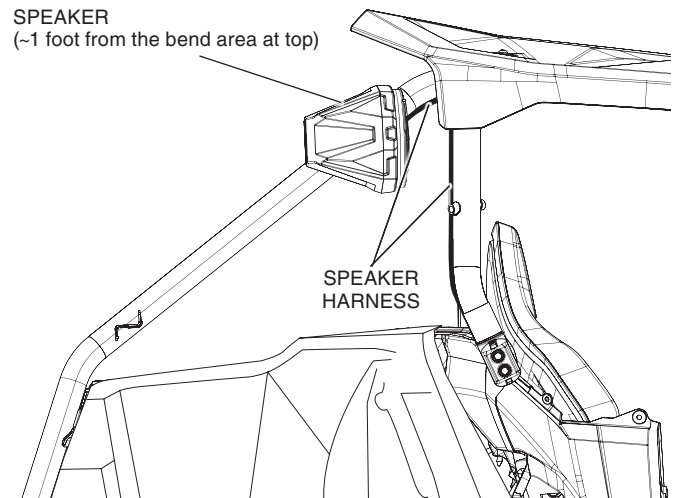
13. From the passenger side of the engine space, run both legs of the Speaker Y-Cable up behind the airbox.



14. Route the driver's side of the Speaker Y-Cable above the airbox to the driver's side B-Pillar. Repeat for passenger side. Zip tie as needed.



15. Route the Y-Speaker Cable up the driver's side B-pillar then down to the speaker location as shown. Zip ties as needed. Repeat for passenger side.



16. Reinstall the following in accordance with the vehicle service manual

- Air Box Cover
- Center Console
- Ground Cable connection to battery
- Fuse Box Cover
- Hood